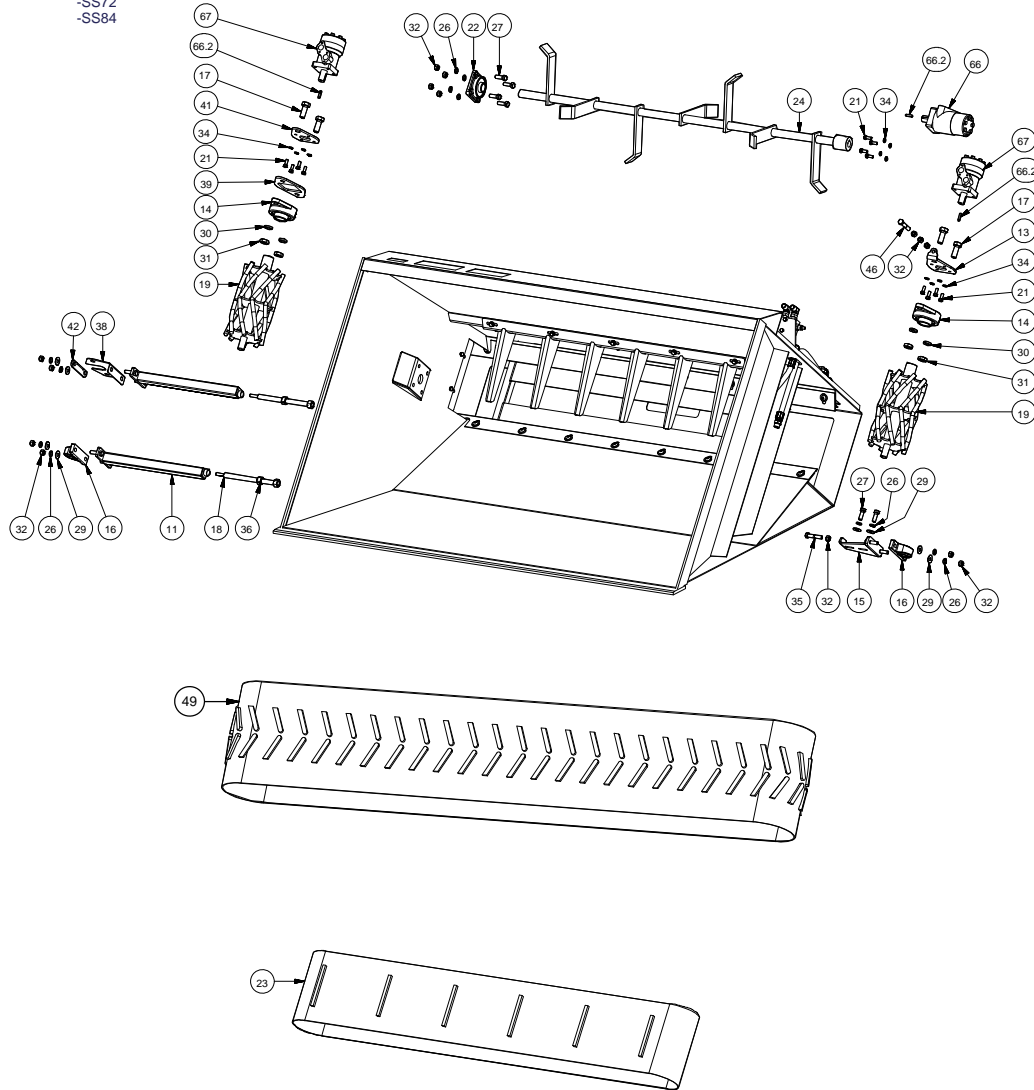


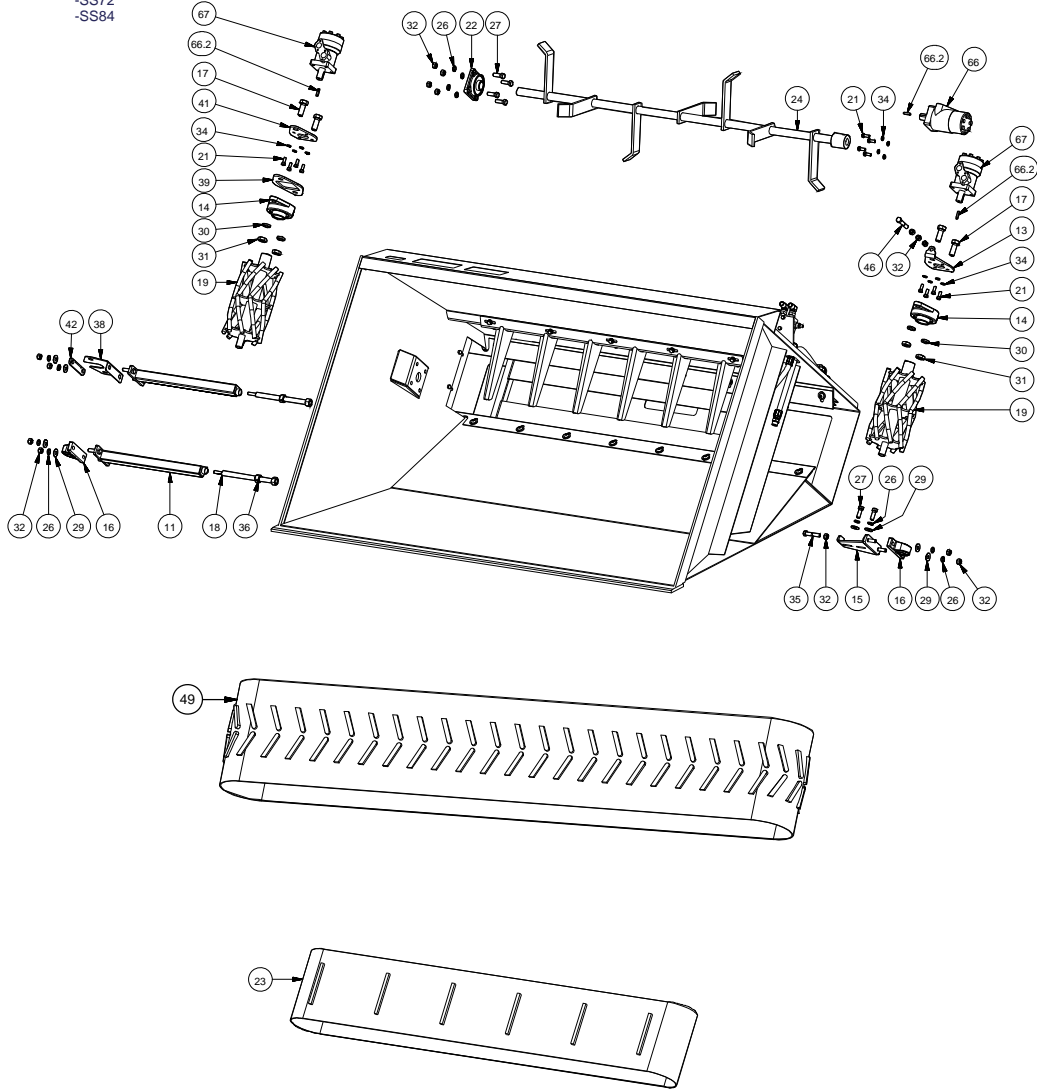
Pos	Part #	Description	Qty.
2	11-1026	5/8" Lock Nut	10
3	11-1462	5/8" x 2" Hex Bolt	10
10	SS-2000	72in Bucket Weldment	1
10	SS-2001	84in Bucket Weldment	1
10	SS-2037	60in Bucket Weldment	1
20	SS-2009	72in Belt Cover	2
20	SS-2010	84in Belt Cover	1
20	SS-2040	60in Belt Cover	1
21	11-1021	3/8" x 1" Bolt	0
25	SS-2006	Discharge Gate	2
28	112077	3/8" Flat Washer	0
29	11-1579	1/2" Large Flat Washer	0
33	SS-2033	72in Shield Assembly	1
33	SS-2034	84in Shield Assembly	1
33	SS-2041	60" Shield Assembly	1
34	112289	3/8" Lock Washer	0
37	SS-1012	3/8" Wing Nut	4
43	SS-2018	Belt Slider Joiner Assembly	2
44	LP-101395(**Your Attachment**)	Bolt-on Attachment Frame Assembly	1
47	11-1845	1/2" x 1" Hex Button Head Cap Screw	0
48	11-1853	1/2" x 1-1/4" Hex Bolt	4
49	112068	1/2" Lock Nut	4
66	11-2283	Beater Mtr. - 400cc	1
66.2	LP-101264	1/4" Key	1
67	11-2284	Belt Mtr. - 100cc (2012 - S/N 148061)	2

Models
-SS72
-SS84



Pos	Part #	Description	Qty.
11	SS-2002	Belt Tensioner Bearing Mount Assembly	2
13	SS-2024	Belt Motor Mount	1
14	11-2287	1 3/4" - 2 Bolt Flange Bearing	2
15	SS-2032	Drive Tensioner Assembly	1
16	11-2286	1in Pillow Block Bearing	2
17	112280	3/4" x 2" Hex Bolt	2
18	SS-2003	Tension Adjuster Threaded Rod	2
19	SS-2014	Drive Roller	2
21	11-1021	3/8" x 1" Bolt	22
22	11-2288	4 Bolt UCF207-20 (1.25 Shaft Dia.)	1
23	11-2432	72in Straw Belt	1
23	11-2433	84in Straw Belt	1
24	SS-2007	72in Beater Assembly	1
26	LA-SS1002	1/2" Helical Spring Lock Washer	12
27	111802	1/2" x 1-1/2" Bolt	6
29	11-1579	1/2" Large Flat Washer	1
30	112291	3/4" Lock Washer	4
31	112290	3/4" Jam Nut	4
32	112073	1/2" Zinc Jam Nut	14
34	112289	3/8" Lock Washer	22
35	111960	1/2 X 2-1/2" Hex Bolt	1
36	11-1839	3/4" Hex Nut	2
38	SS-2047	Second-Drive Adjuster Plate	1
39	SS-2015	Right Belt Motor Mount	1
41	LP-100939	Second Drive Motor Mount	1

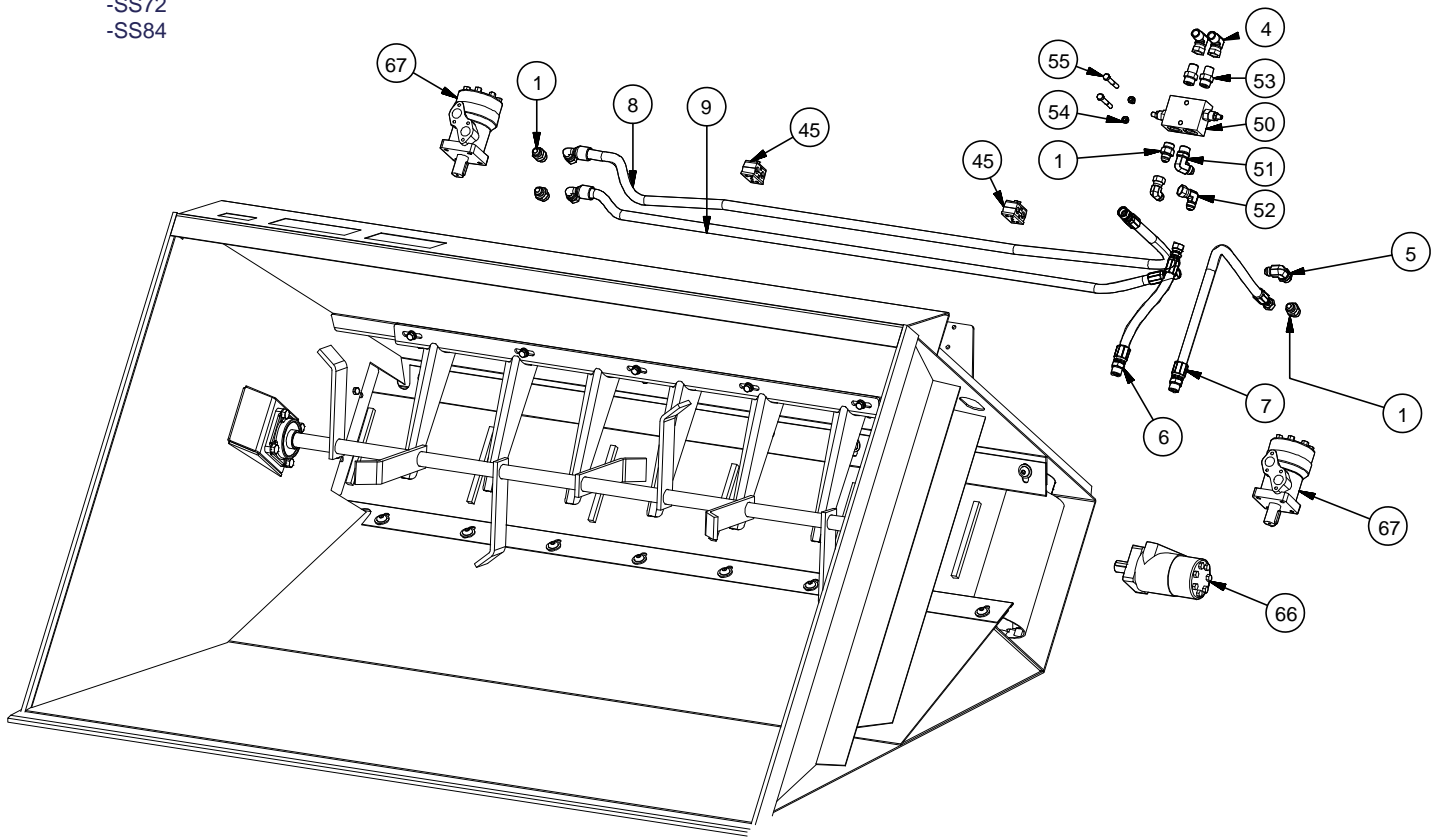
Models
-SS72
-SS84



Pos	Part #	Description	Qty.
42	SS-2048	Bearing Push Block	1
46	112071	1/2" x 3" Bolt	1
49	11-1990	72in Side Discharge Belt	1
49	11-1991	84in Side Discharge Belt	1
66	11-2283	Beater Mtr. - 400cc	1
66.2	LP-101264	1/4" Key	1
67	11-2284	Belt Mtr. - 100cc (2012 - S/N 148061)	2
67	SS-1005	Side Discharge Belt Mtr. - 80cc (- S/N 148061)	1

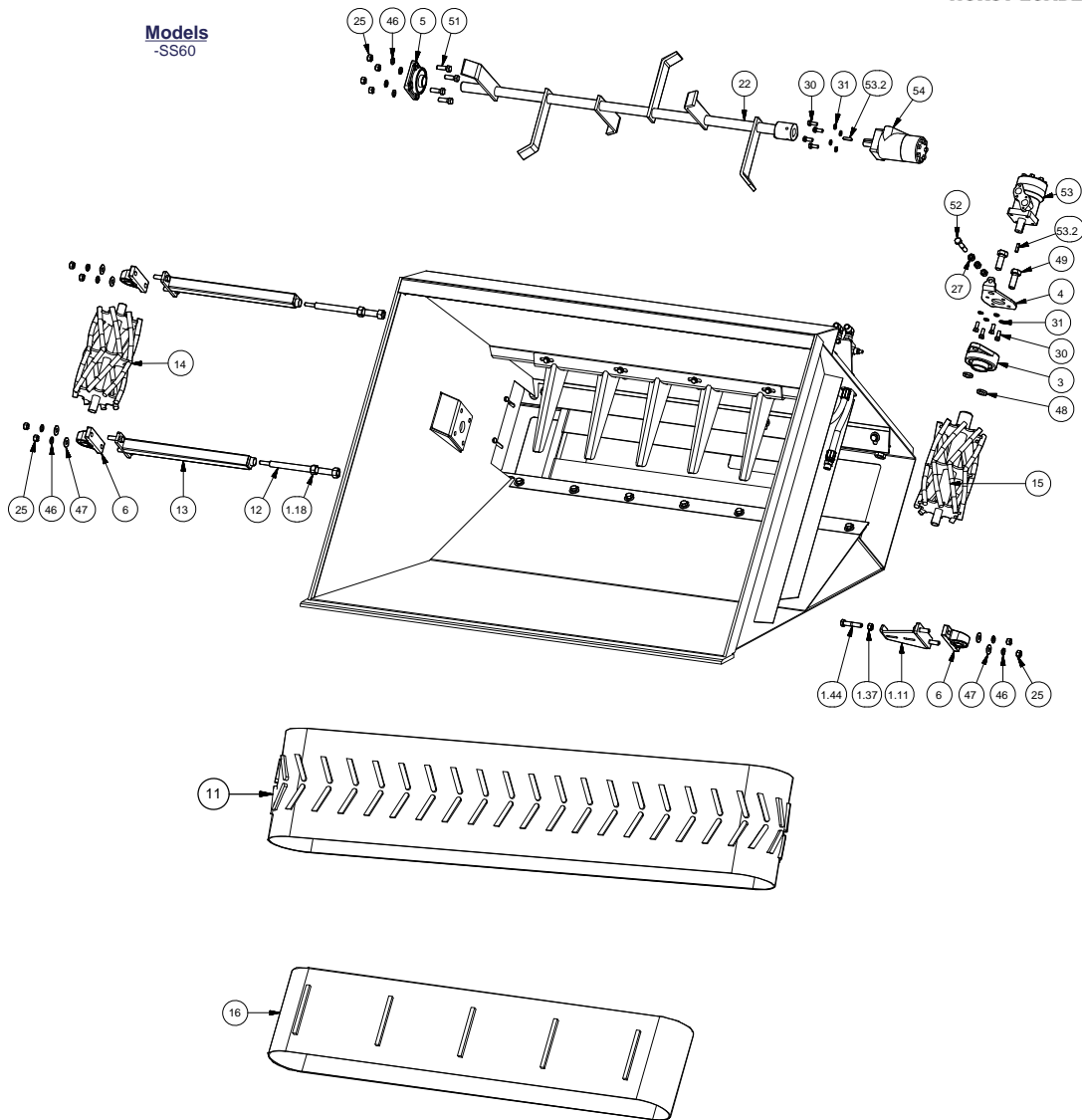
Models

- SS72
- SS84



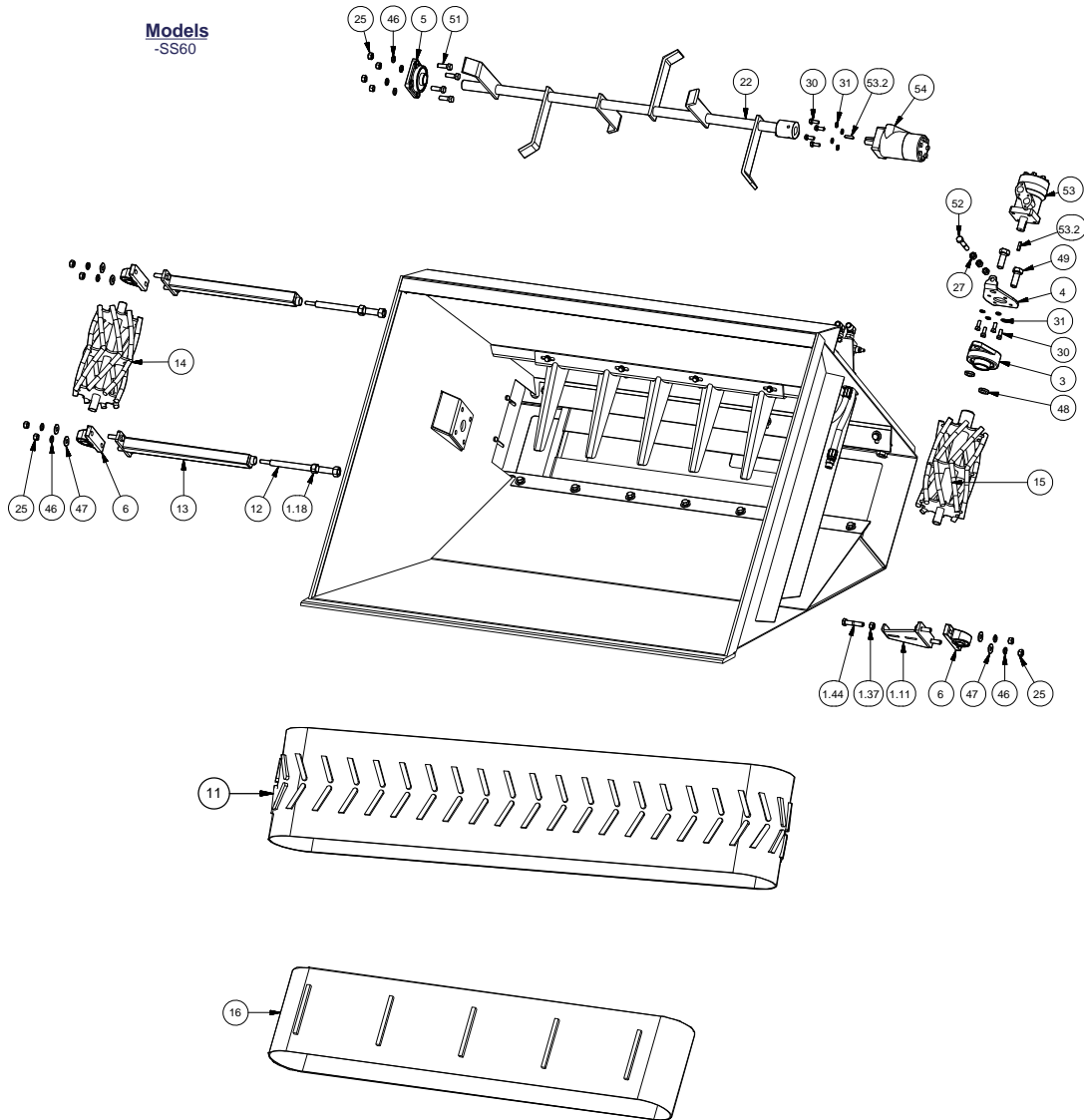
Pos	Part #	Description	Qty.
1	HF-64000810	8mj-10mb Straight	4
4	HF-15010808	1/2"-14 90 M-NPT / 1/2"-14 F-NPSM	2
5	HF-68010810	3/4"-16 90 M-JIC / 7/8"-14 M-ORB	1
6	HH-100342	Sawdust Bucket Supply Hose Assembly	1
7	HH-100341	Sawdust Bucket Short Hose Assembly	1
8	HH-100339	72" Sawdust Bucket Return Hose Assembly	1
8	HH-100475	84" Sawdust Bucket Return Hose Assembly	1
9	HH-100340	72" Sawdust Bucket Joiner Hose Assembly	1
9	HH-100474	84" Sawdust Bucket Joiner Hose Assembly	1
45	HF-21818PP	Hose Clamp Assembly (3/4" OD Hose)	2
50	11-2370	CRP420-110S-V-C Relief Valve (2012 - current)	1
50	LA-SB2000RV	Relief Valve (before 2012)	1
51	HF-68010810	3/4"-16 90 M-JIC / 7/8"-14 M-ORB	1
52	HF-6500-0808	JIC Swivel Elbow 90 8-8	2
53	HF-64011008	5/8" MORB - 1/2" MNPT Adapter	2
54	112078	5/16" Lock Nut	2
55	112079	5/16" x 2 1/4" Bolt	2
66	11-2283	Beater Mtr. - 400cc	1
66.2	LP-101264	1/4" Key	1
67	11-2284	Belt Mtr. - 100cc (2012 - S/N 148061)	2
67	SS-1005	Side Discharge Belt Mtr. - 80cc (- S/N 148061)	1

Models
-SS60



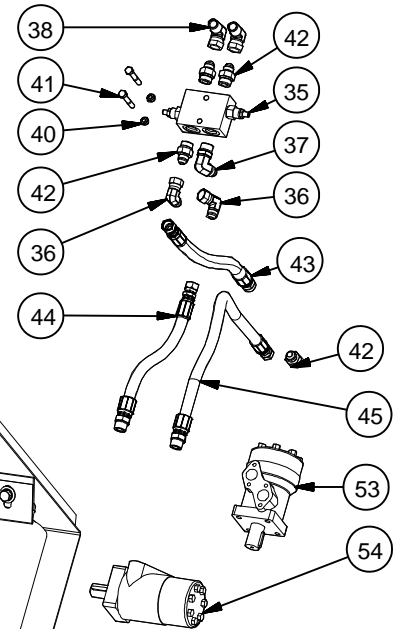
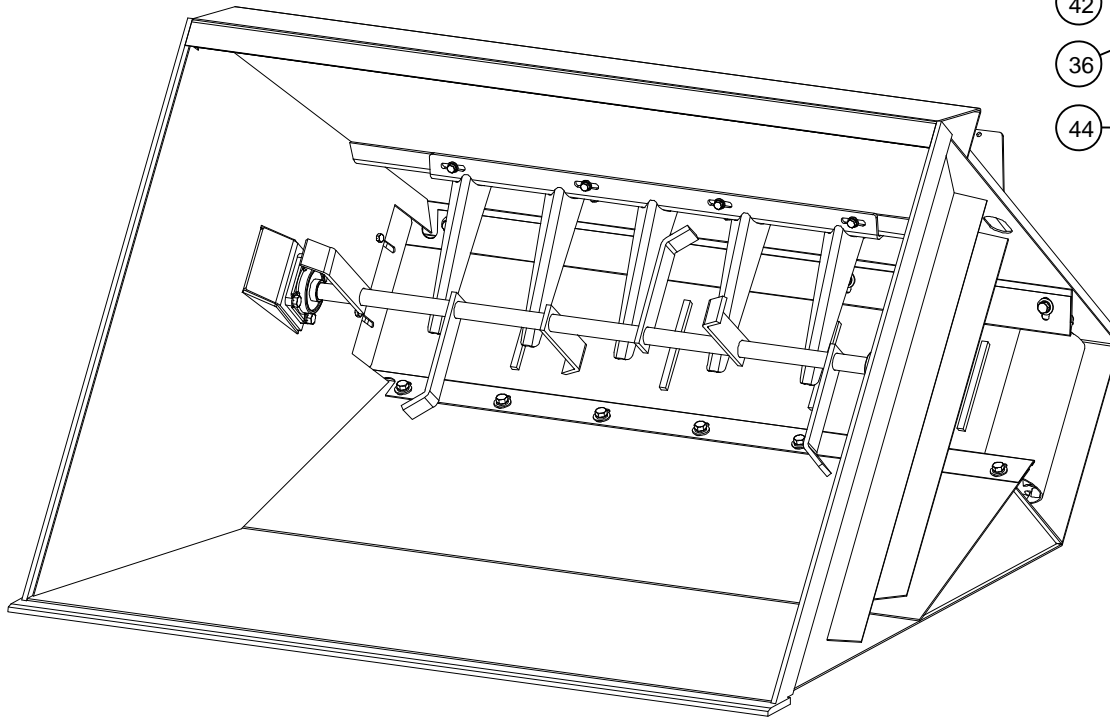
Pos	Part #	Description	Qty.
1.18	11-1839	3/4" Hex Nut	4
1.44	111960	1/2 X 2-1/2" Hex Bolt	1
1.37	112073	1/2" Zinc Jam Nut	18
1.11	SS-2032	Drive Tensioner Assembly	1
3	11-2287	1 3/4" - 2 Bolt Flange Bearing	1
4	SS-2024	Belt Motor Mount	1
5	11-2288	4 Bolt UCF207-20 (1.25 Shaft Dia.)	1
6	11-2286	1in Pillow Block Bearing	3
11	11-1989	60in Side Discharge Belt	1
12	SS-2003	Tension Adjuster Threaded Rod	2
13	SS-2002	Belt Tensioner Bearing Mount Assembly	2
14	SS-2013	Idler Roller	1
15	SS-2014	Drive Roller	1
16	11-2431	60in Straw Belt	1
22	SS-2039	60in Sawdust Beater	1
25	112073	1/2" Zinc Jam Nut	10
27	11-1961	Hex Nuts (Inch Series) Hex Nut	3
30	11-1021	3/8" x 1" Bolt	20
31	112289	3/8" Lock Washer	16
46	LA-SS1002	1/2" Helical Spring Lock Washer	26
47	11-1579	1/2" Large Flat Washer	22
48	112291	3/4" Lock Washer	2
49	112280	3/4" x 2" Hex Bolt	2
51	111802	1/2" x 1-1/2" Bolt	4
52	112071	1/2" x 3" Bolt	1

Models
-SS60



Pos	Part #	Description	Qty.
53	11-2284	Belt Mtr. - 100cc (2012 - S/N 148061)	1
53.2	LP-101264	1/4" Key	1
53	SS-1005	Side Discharge Belt Mtr. - 80cc (- S/N 148061)	1
54	11-2283	Beater Mtr. - 400cc	1

Models
-SS60



Pos	Part #	Description	Qty.
35	11-2370	CRP420-110S-V-C Relief Valve (2012 - current)	1
36	HF-6500-0808	JIC Swivel Elbow 90 8-8	2
37	HF-68010810	3/4"-16 90 M-JIC / 7/8"-14 M-ORB	1
38	HF-15010808	1/2"-14 90 M-NPT / 1/2"-14 F-NPSM	2
40	112078	5/16" Lock Nut	2
41	112079	5/16" x 2 1/4" Bolt	2
42	HF-64000810	8mj-10mb Straight	4
43	HH-100476	60in Sawdust Bucket Return Hose Assembly	1
44	HH-100477	60in Sawdust Bucket Supply Hose Assembly	1
45	HH-100478	60in Sawdust Bucket Short Hose Assembly	1
53	11-2284	Belt Mtr. - 100cc (2012 - S/N 148061)	1
54	11-2283	Beater Mtr. - 400cc	1